


# PCM DRIVER™ CG-40-E

THE SURFACE DRIVE SOLUTION FOR YOUR  
PCP OPERATIONS

keep it moving 



## CG-40-E

Designed with the latest technology to ensure full compliance with Oil and Gas standards, PCM Driver™ driveheads are safe and reliable surface drive solutions specifically engineered for long life in all your PCP operations.

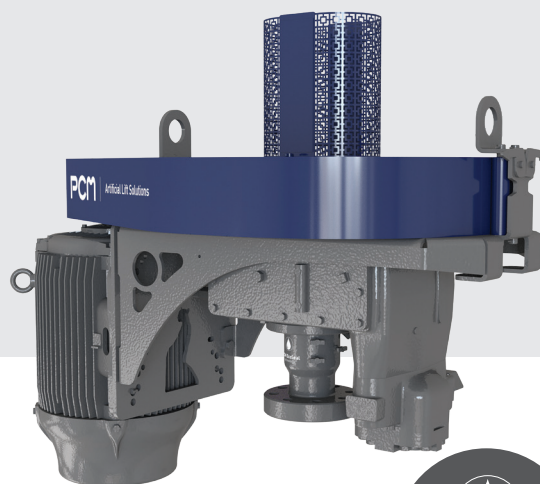
The design and the qualification of the PCM Driver™ driveheads comply with ISO 15136-2-Surface Drive System requirements.

The PCM Driver™ CG-40-E is a cost-effective full life cycle solution to perform with all your power requirements up to 40 HP.

The robust 5:1 gearbox allows for the use smaller pulleys for ease of maintenance and to improve safety. It also permits lower speed operation of the downhole pump without the need to operate the electric motor at a very low frequency.

### » BENEFITS

- Fully internal brake system
- Patented environmental **PCM EcoSeal Stuffing Box**
- Rotating parts fully covered
- Low maintenance requirements
- Associated service and technical support



**PCM**

Artificial Lift Solutions

## SAFETY

### Belt guard:

- compact and durable, all rotating parts fully protected

### Fully internal brake system:

- Efficient backspin control
- Adjustable brake sensitivity

**Anti-ejection system** available for polished rod clamp.

## LOW MAINTENANCE REQUIREMENT

**Only maintenance required** is regular visual inspection, seal greasing, and oil changes.

**PCM EcoSeal** stuffing box – Patented environmental integral rotating sealing system

- Redundant seals
- No seepage
- Long life



## FIRST CLASS SERVICE

- PCM Service team available worldwide to support customer
- Dedicated PCP team will support customer regarding any queries or issues faced with our PCM Driver™.

## SPECIFICATIONS

Drive mode	Belt and pulleys through Internal Gear 5:1 Ratio
Max driven sheave	14" (356 mm)
Ambient conditions	-40°F to 105°F (-40°C to +40°C)
Braking system	<b>Internal gear pump with adjustable control valve</b>
Max speed	500 RPM
Max Torque	1 200 ft-lb (or 1627 N.m)
Sealing system	<b>PCM EcoSeal</b> Stuffing Box
Max Temperature	390°F (200°C)
Max Pressure	Dynamic: 1 000 PSI (70 Bar) Static: 1 000 PSI (207 Bar)
Shaft type	Hollow shaft
PR diameter	1"1/4 (31.75mm) or 1"1/2 (38.10mm)
API Wellhead	Flanged 3"1/8 3M R31 or 4"1/16 3M R37
Bearing dynamic axial load rating (Ca, ISO 281)	111 300 lb (495 kN)
Bearing dynamic axial load rating (Ca90)	28 800 lb (128 kN)
Bearing load for L10 life of 25 000 hours at 500 RPM	6.9 T
Prime mover	Electric motor
Max. Motor HP	40 HP (30kW)
Max. noise level	< 70 dB
Total Weight	1050 lb (476 kg)
Dimensions	56.5" x 32.9" x 39.6" (1.44 x 0.84 x 1.01 m)

\* Higher dynamic pressure (1 000 (69 bar), or possibly higher) may be possible depending on conditions. Contact PCM for an engineering assessment if this is required. The static pressure rating is valid for 30 seconds with the fluid temperature below 100°C.

\*\* Ambient temperatures outside this range are possible under certain conditions. Contact PCM for an application review.

For further information, please contact your PCM local representative:

[www.pcmals.com](http://www.pcmals.com)