
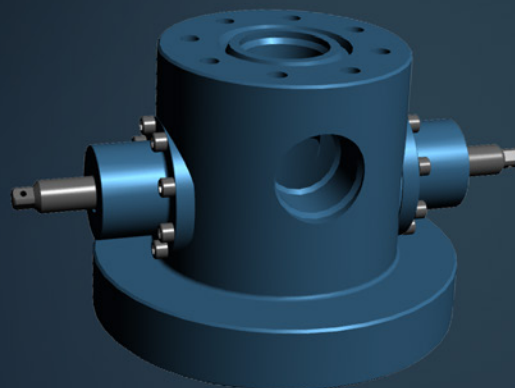


INTEGRATED BOP

THE SURFACE SOLUTION FOR YOUR
PCP OPERATIONS

keep it moving 

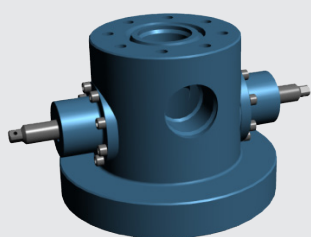


The Integrated Blow-Out Preventer (IBOP) is one of the surface equipment that ensures safe operation and production of your progressing cavity pump system.

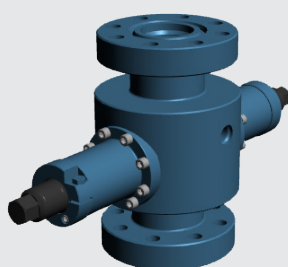
IBOP is connected between wellhead and PCP drivehead. It is equipped with ram's seals to be able to close on polished rods to secure well bore. It also integrates a flow tee to connect the tubing string to the flow line production.

To be adapted to your wellhead and fit your operation conditions, IBOP are available:

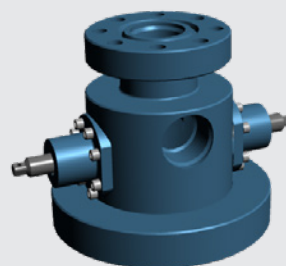
- Studded or Flanged Bottom & Top connection
- Standard temperature or High temperature
- Single or Dual RAMs



STUDDED top & bottom



FLANGED top & bottom



FLANGED top &
STUDDED bottom

› SPECIFICATIONS

Temperature rating:

- Standard: 120°C / 350°F
- High temperature: 350°C / 650°F

01- Bottom connection*

- STUDDED or FLANGED** API 6A
- 3" 1/8; 4" 1/16; 7" 1/16; 9"; 11"
- 2 000 psi ; 3 000 psi ; 5 000 psi

02- Top connection*

- STUDDED or FLANGED or THREADED
- 3" 1/8; 3000 psi; 2 000 psi
- 4" 1/16; 3000 psi
- 2" 7/8 EU or 3" 1/2 EU

03- RAMS type*

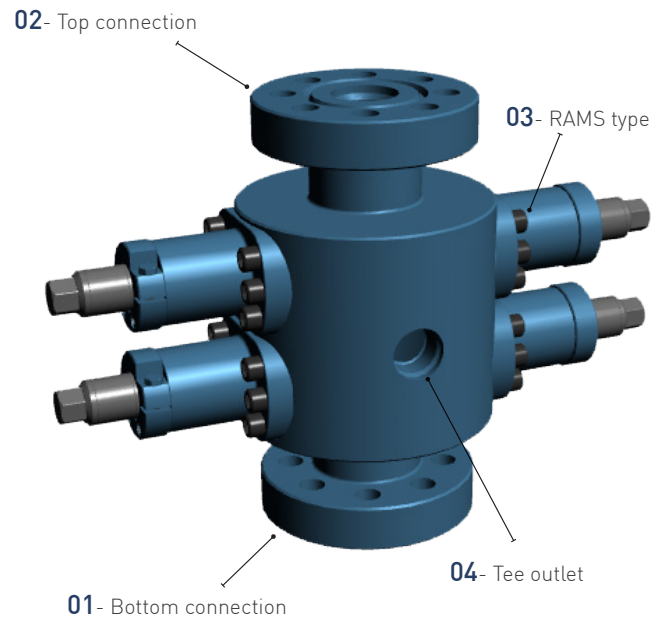
- SINGLE or DUAL Rams
- Type: blind, sealing or rod clamping
- Polished size: 1" 1/4 ; 1" 1/2, 0 to 1" 1/2

04- Tee outlet*

- 2" & 3" line pipe
- Flanged 2" 1/16, 3" 1/8; 3 000 psi

* Other size could be proposed under request

** Rotating base / swivel could be proposed under request



› MAINTENANCE

- Easy RAMS replacement

› FIRST CLASS SERVICE

- PCM Service team available worldwide to support customer
- Dedicated PCP team will support customer regarding any queries or issues faced with our PCM Driver.

