


TAG BAR

ACCESSORIES FOR ROTOR SPACING OUT OPERATION

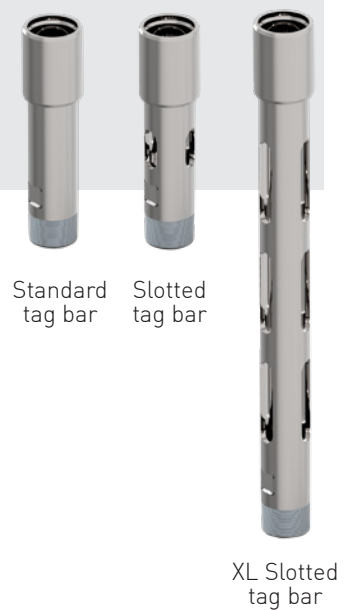
keep it moving 



PCM Tag Bar is a specific accessory for PCP completion to land the rotor properly against the stator. The Tag bar is used in any rod driven PCP completions and is connected to the bottom end of the stator. The Tag Bar is a key item in completion for spacing out and shall ensure the maximum PCP inflow.

» BENEFITS

- Serves as a landing spot for space out
- Maximizes flowing area to ensure a reliable pump suction
- Provide a stand-off length to anticipate the rod elongation
- Slotted items are also available to increase flowing area at suction



SPECIFICATIONS

Type	Top connection	Bottom connection	Features	Catalog status
STANDARD TAG BAR	Box	PIN	Regular configuration	Standard
SLOTTED TAG BAR	Box	PIN	Maximize flowing area	Standard
XL SLOTTED TAG BAR	Box	PIN	Maximize flowing area when using Paddle Rotor	Standard
XL SLOTTED PUMP TAIL	Box	PIN	Without squared bar when used with Top Bushing stators and Paddle Rotor	Upon request
XL NON SLOTTED TAG BAR	Box	PIN	Tag bar used with a Paddle Rotor but when suction shall be remote from pump suction	Upon request

Item are delivered painted, with plastic plug and grease on threads

LIST OF AVAILABLE ITEMS

	Top connection	Bottom connection	Description	Code
2"3/8	2"3/8 EU Box	2"3/8 EU Pin	TAG BAR, 2"3/8 EUE BOX x 2"3/8 EUE PIN	TB238V238BPT
	2"3/8 EU Box	2"3/8 EU Pin	SLOTTED TAG BAR, 2"3/8 EUE BOX x 2"3/8 EUE PIN	TB238V238RPT
	2"3/8 EU Box	2"3/8 EU Pin	XL SLOTTED TAG BAR, 2"3/8 EUE BOX x 2"3/8 EUE PIN, for Paddle rotors	TB238V238RLPT
2"7/8	2"7/8 EU Box	2"7/8 EU Pin	TAG BAR, 2"7/8 EUE BOX x 2"7/8 EUE PIN	TB278V278BPT
	2"7/8 EU Box	2"7/8 EU Pin	SLOTTED TAG BAR, 2"7/8 EUE BOX x 2"7/8 EUE PIN	TB278V278RPT
	2"7/8 EU Pin	2"7/8 EU Pin	XL SLOTTED TAG BAR, 2"7/8 EUE BOX x 2"7/8 EUE PIN, for Paddle rotors	TB278V278RLPT
3"1/2	3"1/2 EU Box	3"1/2 EU Pin	TAG BAR, 3"1/2 EUE BOX x 3"1/2 EUE PIN	TB312V312BPT
	3"1/2 EU Box	3"1/2 EU Pin	SLOTTED TAG BAR, 3"1/2 EUE BOX x 3"1/2 EUE PIN	TB312V312RPT
	3"1/2 EU Box	3"1/2 EU Pin	XL SLOTTED TAG BAR, 3"1/2 EUE BOX x 3"1/2 EUE PIN, for Paddle rotors	TB312V312RLPT
4"	4" NU Box	3"1/2 EU Pin	TAG BAR SHORT PCM VULCAIN, 4"NU BOX x 3"1/2 EUE PIN	TB400Y312BSPT
	4" NU Box	3"1/2 EU Pin	TAG BAR , 4"NU BOX x 3"1/2 EUE PIN	TB400Y312BPT
	4" NU Box	3"1/2 EU Pin	SLOTTED TAG BAR , 4"NU BOX x 3"1/2 EUE PIN	TB400Y312RPT
	4" NU Box	3"1/2 EU Pin	XL SLOTTED TAG BAR, 4"NU BOX x 3"1/2 EUE PIN, for Paddle rotors	TB400Y312RLPT
4"1/2	4" 1/2 EU Box	4"1/2 EU Pin	TAG BAR SHORT PCM VULCAIN, 4"1/2 EUE BOX x 4"1/2 EUE PIN	TB412V412BSPT
	4" 1/2 EU Box	4"1/2 EU Pin	TAG BAR, 4"1/2 EUE BOX x 4"1/2 EUE PIN	TB412V412BPT
	4" 1/2 EU Box	4"1/2 EU Pin	SLOTTED TAG BAR, 4"1/2 EUE BOX x 4"1/2 EUE PIN	TB412V412RPT
	4" 1/2 EU Box	4"1/2 EU Pin	XL SLOTTED TAG BAR, 4"1/2 EUE BOX x 4"1/2 EUE PIN, for Paddle rotors	TB412V412RLPT
5"	5" CS Box	4"1/2 EU Pin	TAG BAR, 5"CS EUE BOX x 4"1/2 EUE PIN	TB500P412BPT
	5" CS Box	4"1/2 EU Pin	SLOTTED TAG BAR, 5"CS EUE BOX x 4"1/2 EUE PIN	TB500P412RPT
	5" CS Box	4"1/2 EU Pin	XL SLOTTED TAG BAR, 5"CS EUE BOX x 4"1/2 EUE PIN, for Paddle rotors	TB500P412RLPT
6"5/8	6"5/8 But Box	4"1/2 EU Pin	TAG BAR, 6"5/8 BUT BOX x 4"1/2 EUE PIN	TB658Z412BPT
	6"5/8 But Box	4"1/2 EU Pin	SLOTTED TAG BAR, 6"5/8 BUT BOX x 4"1/2 EUE PIN	TB658Z412RPT
	6"5/8 But Box	4"1/2 EU Pin	XL SLOTTED TAG BAR, 6"5/8 BUT BOX x 4"1/2 EUE PIN, for paddle rotors	TB658Z412RLPT

REMINDER ABOUT TAG BAR AND COUPLING SIZE

Tag bar outside diameter is identical to the outside diameter of greatest Box coupling. The design is according to O&G standard ISO 11 960.

OD Tubing		OD connection NU		OD connection EU		OD connection EU Special clearance	
Inch	mm	Inch	mm	Inch	mm	Inch	mm
2" 3/8	60.3	2.875	73	3.063	77.8	2.91	73.9
2" 7/8	73	3.5	88.9	3.668	93.2	3.46	87.9
3" 1/2	88.9	4.25	108	4.5	114.3	4.18	106.2
4"	101.6	4.75	120.6	5.0	127.0	NA	NA
4" 1/2	114.3	5.2	132.1	5.563	141.3	NA	NA

TAG BAR NU (OPTIONAL)

List of items suitable for PCM Moineau™ and PCM Slugger:

Top connection	Bottom connection	Code
2" 3/8 EU B	2" 7/8 NU Pin	TB238X278BPT
2" 7/8 EU Box	2" 7/8 NU Pin	TB278X278BPT
3" 1/2 EU Box	2" 7/8 NU Pin	TB312X278BPT
4" NU Box	2" 7/8 NU Pin	TB400W278BPT
4" NU Box	3" 1/2 NU Pin	TB400W312BPT

An alternative to the conventional Tag Bar located at the bottom of the pump is available upon request using a Top Bushing to tag the rotor on the top of the stator to free the intake of the pump.