
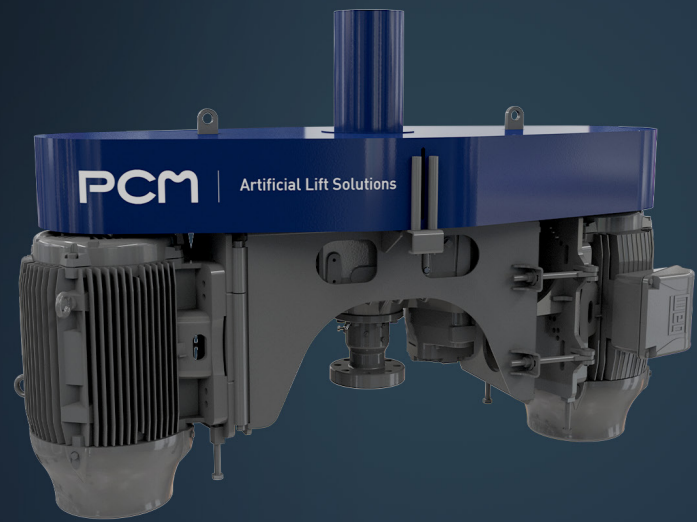


PCM DRIVER™ CD-150

THE SURFACE DRIVE SOLUTION FOR YOUR
PCP OPERATIONS

keep it moving 



CD-150

Designed with the latest technology to ensure full compliance with Oil and Gas standards, PCM Driver™ driveheads are safe and reliable surface drive solutions specifically engineered for long life in all your PCP operations.

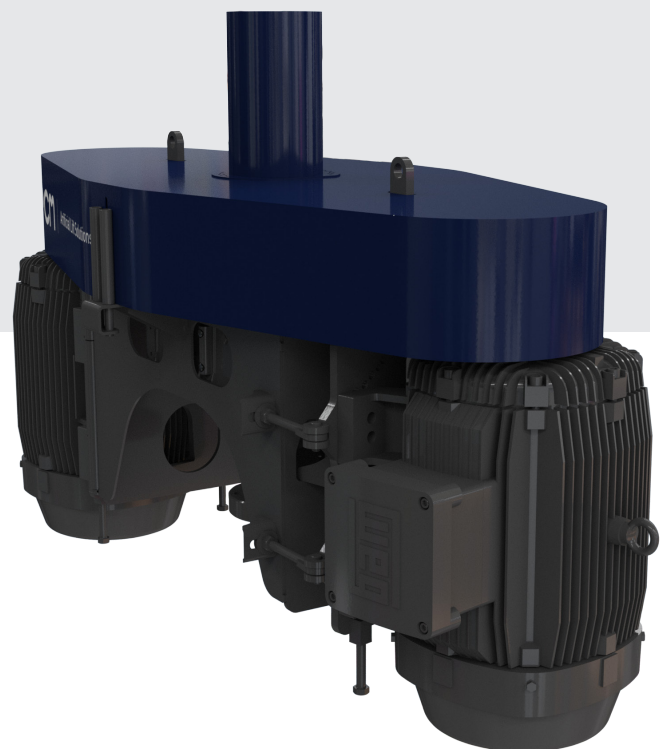
The design and the qualification of the PCM Driver™ driveheads comply with ISO 15136-2-Surface Drive System requirements.

The **PCM Driver™ CD-150** is a cost-effective full life cycle solution to perform with all your power requirements up to **150 HP**.

The CD-150 is available with your choice of two different thrust bearings, standard and Heavy Duty (HD), to meet your application requirements.

▶ BENEFITS

- Fully internal brake system
- Patented environmental **PCM EcoSeal Stuffing Box**
- Rotating parts fully covered
- Low maintenance requirements
- Associated service and technical support



PCM

Artificial Lift Solutions

SAFETY

Belt guard:

- compact and durable, all rotating parts fully protected

Fully internal brake system:

- Efficient backspin control
- Adjustable brake sensitivity

Anti-ejection system available for polished rod clamp.

ATEX certification is available

LOW MAINTENANCE REQUIREMENT

Only maintenance required is regular visual inspection, seal greasing, and oil changes.

PCM EcoSeal Stuffing Box – Patented environmental integral rotating sealing system

- Redundant seals
- No seepage
- Long life

FIRST CLASS SERVICE

- PCM Service team available worldwide to support customer
- Dedicated PCP team will support customer regarding any queries or issues faced with our PCM Driver™.

SPECIFICATIONS

Drive mode	Belt and pulleys driven; two electric motors
Max driven sheave	31.5" (800 mm)
Ambient conditions	-40°F to 105°F (-40°C to +40°C)
Braking system	Internal gear pump with adjustable control valve
Max speed	500 RPM
Max Torque	2 098 ft. lb. (or 2 845 N.m)
Sealing system	Patented integral rotating seal
Max Temperature	390°F (200°C)
Max Pressure	Dynamic: 1 000 PSI (70 Bar) Static: 1 000 PSI (70 Bar)
Shaft type	Hollow shaft
PR diameter	1"1/4 (31.75 mm) or 1"1/2 (38.10 mm)
API Wellhead	Flanged 3" 1/8 3M R31 or 4" 1/16 3M R37 or 5" 1/8 3M R41
Bearing dynamic axial load rating (Ca, ISO 281)	CD-150: 238 300 lb (1060 kN) CD-150 (HD): 283 300 lb (1260 kN)
Bearing dynamic axial load rating (Ca90)	CD-150: 61 800 lb (275 kN) CD-150 (HD): 73 500 lb (327 kN)
Bearing load for L10 life of 25 000 hours at 500 RPM	CD-150: 14.8 T CD-150 (HD): 17.6 T
Prime mover	Dual electric motors NEMA or IEC
Max. Motor HP	2 x 75 HP (2 x 56 kW) 150 HP (112 kW) total
Max. noise level	< 70 dB
Total Weight	1 600 lb (726 kg)
Dimensions	79" x 36.7" x 44.5" (2.01 x 0.93 x 1.13 m)

For further information, please contact your PCM local representative:

www.pcmals.com